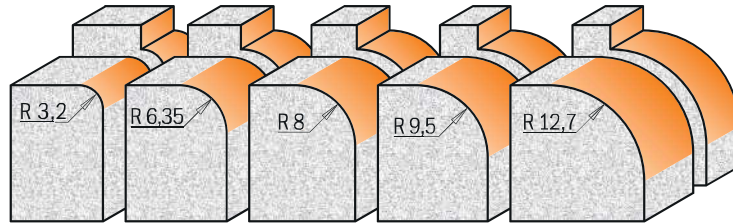
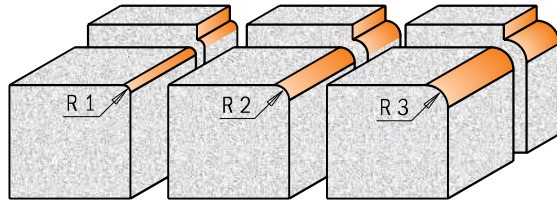
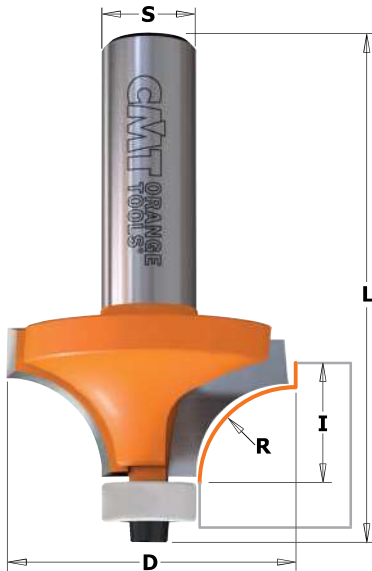


Solid Surface - Rounding Over Bits



7/8/938 - 8/980.5

Use these bits to create traditional roundover edges on solid surface countertops. Equipped with a non-marring DELRIN® bearing to protect finished edges. For use on hand-held portable routers.



Drawing is 1:1 scale

APPLICATION
 WILSONART®
 GIBRALTAR®
 CORIAN®
 SURELL®
 FOUNTAINHEAD®
 AVONITE®
 FORMICA®
 Etc.

R mm	D mm	I mm	L mm		ORDER NO. S=Ø6mm	ORDER NO. S=Ø6,35mm	ORDER NO. S=Ø8mm	ORDER NO. S=Ø12mm	ORDER NO. S=Ø12,7mm
1	14,7	10	51	10		838.147.11	938.147.11		
2	16,7	12,7	52,5	10	738.167.11		938.167.11		
3	18,7	12,7	54	10	738.187.11		938.187.11		
3,2	19,05	12,7	59,5	10				980.501.11	880.501.11
6,35	25,4	12,7	59,5	10				980.502.11	880.502.11
8	28,7	15	62,5	10				980.505.11	880.505.11
9,5	31,75	14	61	10				980.503.11	880.503.11
12,7	38,1	19,05	66	10				980.504.11	880.504.11

Spare parts

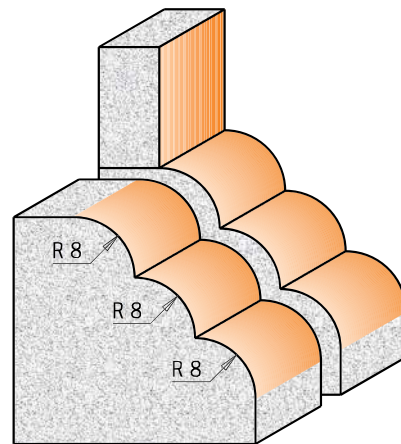
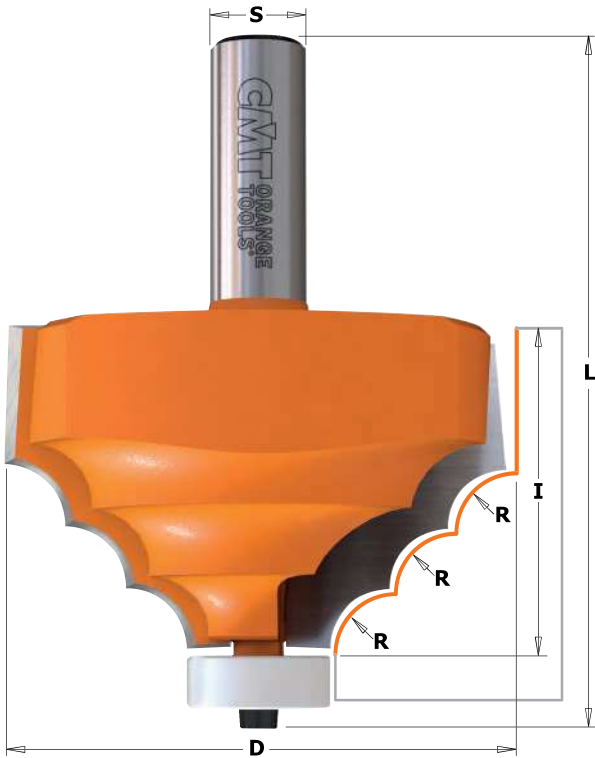
990.422.00	791.044.00	990.058.00
990.422.00	791.044.00	990.058.00
990.422.00	791.044.00	990.058.00
990.422.00	791.044.00	990.058.00
990.422.00	791.044.00	990.058.00
990.422.00	791.044.00	990.058.00
990.422.00	791.044.00	990.058.00
990.422.00	791.044.00	990.058.00

Spare parts: **991.057.00** 3/32" hex key

Solid Surface - Decorative Edge Profile Bits

8/980.521

Create elegant countertops with flawless results. Features a non-marring DELRIN® bearing to protect the finished edges. For use on hand-held portable routers.



Drawing is 1:1 scale

APPLICATION
 WILSONART®
 GIBRALTAR®
 CORIAN®
 SURELL®
 FOUNTAINHEAD®
 AVONITE®
 FORMICA®
 Etc.

D mm	I mm	R mm	L mm		ORDER NO. S=Ø12mm	ORDER NO. S=Ø12,7mm
66,7	41,3	8	89,8	5	980.521.11	880.521.11

Spare parts

791.046.00	990.058.00	991.057.00